

TRANSFER SWITCHES

Sync™ Smart Switch

WITH LOAD SHEDDING CAPABILITY

100 - 400 Amps, Single Phase



FEATURES

- **Honeywell® Sync Smart Switches** are designed for use with single phase generators that utilize a Sync™ 2.0 Controller. The 100, 200, and 400 amp open transition switches are available in single phase in both service equipment rated and non-service equipment rated configurations. The 150 and 300 amp open transition switches are only available in a service rated equipment configuration.
- **100-200 amp Honeywell Sync Smart Switches** are housed in an aluminum NEMA/UL Type 3R enclosure*, with electrostatically applied and baked powder paint. The Heavy Duty Generac Contactor is a UL recognized device, designed for years of service. The controller at the generator handles all the timing, sensing, exercising functions, and transfer commands. Sync Smart switches are covered by a 5 year comprehensive warranty.
- **DPM TECHNOLOGY** Through the use of Digital Power Management technology (DPM), each of these switches has the capability to truly manage two air conditioning loads with no additional hardware. When used in tandem with the Power Management Module (PMM) starter kit, individual PMMs can be use to intelligently manage up to four more additional loads.

* 300 & 400 amp switches are housed in a steel enclosure.

FUNCTIONS

All timing and sensing functions originate in the generator controller.

• Utility voltage drop-out	<60%
• Timer to generator start	10 second factory set, adjustable between 2-1500 seconds by a qualified dealer*
• Engine warm up delay	5 seconds
• Standby voltage sensor	60% for 5 seconds
• Utility voltage pickup	>80%
• Re-transfer time delay	15 seconds
• Engine cool-down timer	60 seconds
• Exerciser	12 minutes every 7 days

The transfer switch can be operated manually without power applied.

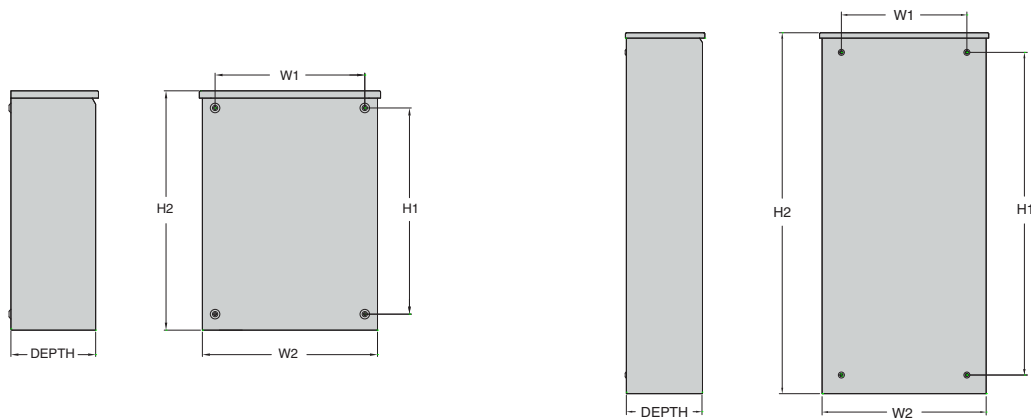
*When used in conjunction with units utilizing Sync™ 2.0 controls

SPECIFICATIONS

Model	RTSV100A3	RTSG100A3	RTSG150A3	RTSV200A3	RTSG200A3	RTSG300A3	RTSV400A3	RTSG400A3
Amps	100	100	150	200	200	300	400	400
Voltage	120/240, 1Ø	120/240, 1Ø	120/240, 1Ø	120/240, 1Ø	120/240, 1Ø	120/240, 1Ø	120/240, 1Ø	120/240, 1Ø
Load Transition Type (Automatic)	Open Transition	Open Transition Service Rated	Open Transition Service Rated	Open Transition	Open Transition Service Rated	Open Transition Service Rated	Open Transition	Open Transition Service Rated
Enclosure Type	NEMA/UL 3R	NEMA/UL 3R	NEMA/UL 3R	NEMA/UL 3R	NEMA/UL 3R	NEMA/UL 3R	NEMA/UL 3R	NEMA/UL 3R
UL Rating	UL/CUL	UL	UL	UL/CUL	UL	UL	UL/CUL	UL
Withstand Rating (Amps)	10,000	10,000	22,000	10,000	22,000	22,000	22,000	22,000
Lug Range	1/0 - #14			250 MCM - #6		600 MCM - #4 or 1/0 - 250 MCM		

EXTERNAL DIMENSIONS

Model	RTSV100A3	RTSG100A3	RTSG150A3	RTSV200A3	RTSG200A3	RTSG300A3	RTSV400A3	RTSG400A3	
Height in/mm	H1	17.24/437.9	17.24/437.9	26.75/679.4	17.24/437.9	26.75/679.4	42.91/1089.9	31.25/793.8	42.91/1089.9
	H2	20/508	20/508	30/762	20/508	30/762	48/1219.2	36/914.4	48/1219.2
Width in/mm	W1	12.5/317.5	12.5/317.5	10.5/266.7	12.5/317.5	10.5/266.7	16.69/423.9	19.18/487.2	16.69/423.9
	W2	14.6/370.8	14.6/370.8	13.5/342.9	14.6/370.8	13.5/342.9	21.82/554.2	24/609.6	21.82/554.2
Depth in/mm	7.09/180.1	7.09/180.1	6.3/160.1	7.09/180.1	6.3/160.1	10.06/255.5	10.06/255.5	10.06/255.5	
Weight lbs/kilos	20/9.07	22.5/10.21	39/17.69	20/9.07	39/17.69	140/63.5	133/60.33	140/63.5	



Generac Power Systems, Inc.

S45 W29290 Hwy. 59

Waukesha, WI 53187

Tel: 1-855-GEN-INFO

honeywellgenerators.com

0199030SBY-A

March 2013

© Generac Power Systems, Inc. All rights reserved.
Specifications subject to change without notice.

The Honeywell Trademark is used under
license from Honeywell International Inc.

Honeywell International Inc. makes no representation
or warranties with respect to this product.

Honeywell